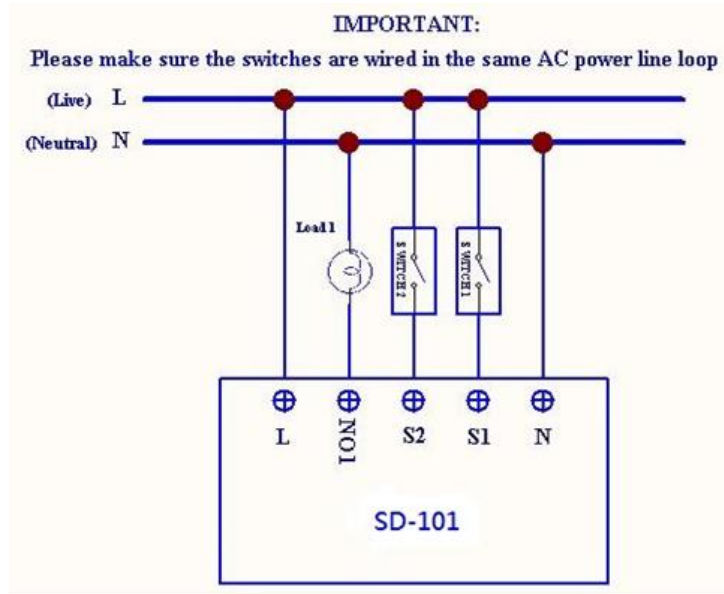


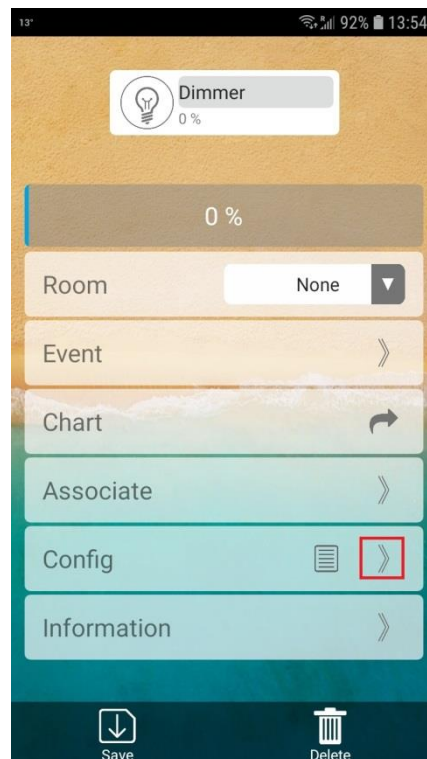
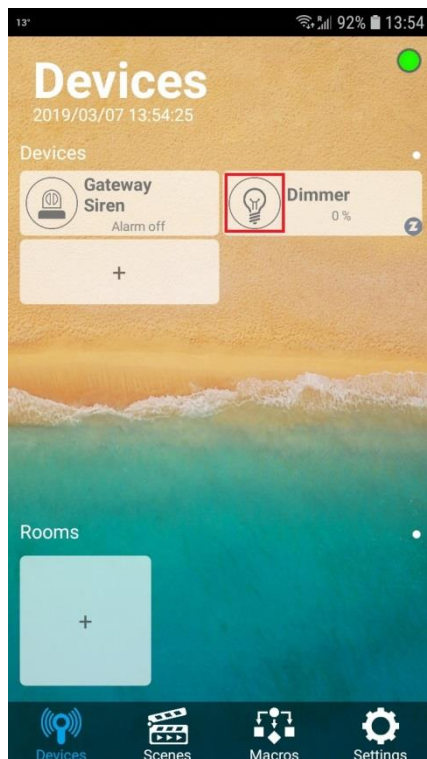
**Q: Changing the In-Wall Dimmer Settings for S1 and S2 Function.**

**A:** Both the S1 and S2 Switches of the In-Wall Dimmer can be changed to operate in a different way and in combination with your Dimmer Switch.



**IMPORTANT:** Please see the SD-101 User Manual for more detailed Information.

To change the settings please go “Devices” in the Airlive SmartLife Plus APP and click on the Dimmer Icon on the new page scroll down to Config and click on the “>>” to enter the setup.



The default function of both S1 and S2 is “One Switch mode”. In the “Config” menu of the SD-101 this can be changed to either “Two Switch mode or UP/Down Switch mode. The Parameter to change S1 and S2 is Parameter 3. The Value is default 1 (One switch mode). Please see the table and description below.

Configuration Parameter	Function	Size (Byte)	Value	Unit	Default	Description
3	External Switch Type	1	1-3		1	1: One switch mode 2: Two switch mode 3: Up/Down switch mode

**External Switch Type :**

**1: One switch mode**

Only S1 can dim up the light bulb to brightest level, then dim down to darkest level, and so on...

**2: Two switch mode**

S1 and S2 can dim up the light bulb to brightest level, then dim down to darkest level, and so on...

**3: Up/Down switch mode**

S1 can only dim up the light bulb to brightest level, and S2 can only dim down to Off.

### Change the Value:

After you have entered the Config mode you can change the Parameter. In this example we change the value from the default 1 (One Switch mode) to value 3 (Up/Down Switch mode).

Enter the Information:

Param: 3

Value : 3

Size: 1

Now press Write, your value will be changed. You can check this by again entering Param: 3 but leaving the other fields empty, now press Read and your new value should show. When your value is not correct you would have to do the Write process again.

