

1 Port 10G XGS PON ONU

Incl. 1x 10G RJ45, 4x 1G RJ45, 1x USB3.0

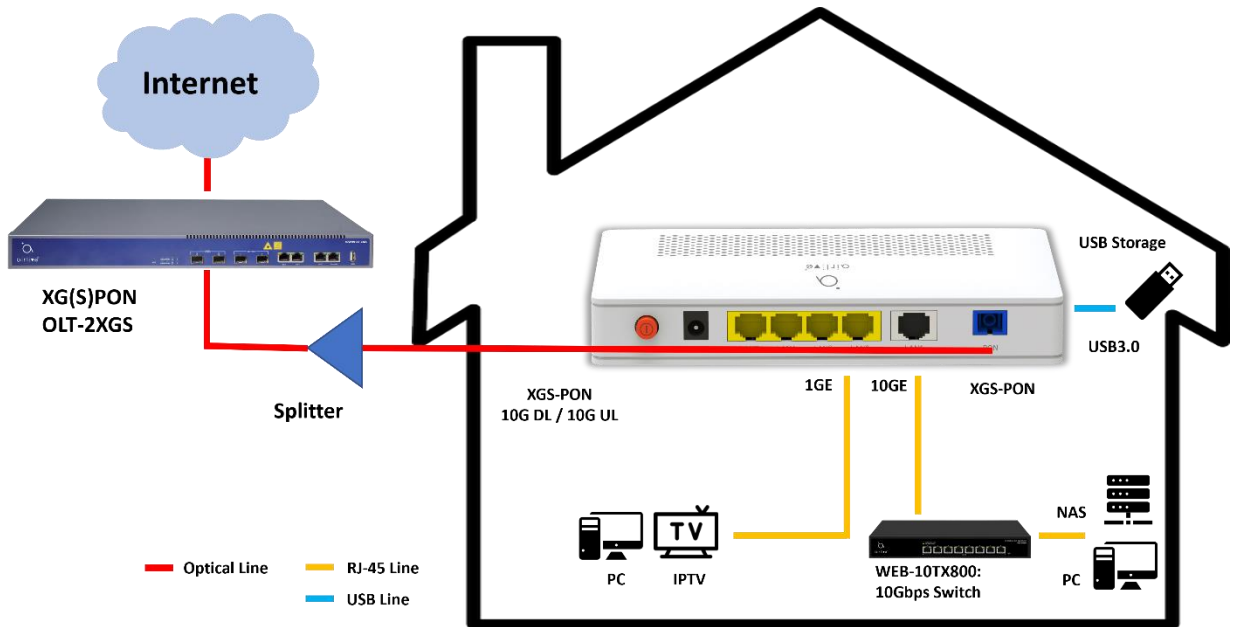
ONU-10XGS-1004-10G



10G XGS-PON	IPv4/IPv6 Dual Stack	Compliant ITU-T G.9807.1 standard
1 x 10GE RJ-45 4 x 1GE RJ-45	Realtek Solution	USB3.0 Interface For Shared Storage

Overview

The AirLive ONU-10XGS-1004-10G is a recently launched ONU that caters to new optical fiber communication networks. It conforms to international standards like ITU-T G.9807.1 (XGS-PON). The ONU comes with 1 x 10GE + 4 x 1GE RJ-45 ports for ultra fast connection speeds. The ONU also comes with a USB3.0 port which can be used to share USB storage. The ONU can bring fast Internet access experience and lower Internet latency for home users and enterprise users. The ONU is specially designed to meet the needs for FTTO (office), FTTD (desktop), FTTH (home), SOHO broadband access, 4K/8K, VR, video surveillance, etc. It is based on XGSPON technology, with high reliability, easy maintenance, and can provide QoS guarantee for different services.




High-speed and Long-distance Coverage for Triple Play Services

The AirLive 10G XGSPON ONU offers a solution for providing high-speed and long-distance coverage. The AirLive XGS-PON AX supports full Triple Play of services enabling Data, Voice and Video services through Ethernet, and USB standard interfaces, help Internet Service Providers to deliver internet service speeds of more than 2.5Gbps which is limited by GPON.

Triple play service applications such as HDTV, IPTV, and multimedia, enabling fast and reliable data transmission. With a large range between equipment nodes, the 10G XGSPON ONU is a cost-effective access technology that offers flexibility for network deployment. Its reliable and scalable network ensures a seamless and efficient experience for users.

Highlight Feature

- 10G XGSPON with UL 10Gbps, DL: 10Gbps Speeds
- 1x 10Gbps RJ-45 Port for High-speed networking
- 4x 1Gbps RJ-45 Port
- 1x USB3.0 for Shared Storage

Model	ONU-10XGS-1004-10G
<p>Device Interface</p> <ul style="list-style-type: none"> • PON Port: 1x 10G PON port: Class B+ • Connector: SC single mode, SC/UPC connector • TX optical power: 6dBm (XGS-PON) • RX sensitivity: -28dBm • Overload optical power: -7dBm • Transmission distance: 20km • Wavelength: XGS-PON: RX 1577nm/TX 1270nm • 10G PON layer: ITU-T G.9807.1 (XGS-PON) • XGS-PON ONU Speed: Upstream 9.953Gbps, Downstream: 9.953Gbps • LAN / USB Port: 1 x 10G RJ-45 Port 4 x 10/100/1000M RJ-45 Port 1 x USB3.0 Port (Storage) • LED: PWR, PON, LOS, WAN, LAN1~5, USB <p>Function features</p> <ul style="list-style-type: none"> • Internet connection: Support Bridge/Router mode • Multicast: Support IGMP v1/v2/v3, IGMP snooping MLD v1/v2 snooping • L2: 802.1D&802.1ad bridge, 802.1p Cos, 802.1Q VLAN • L3: IPv4/IPv6, DHCP Client/Server, PPPoE, NAT, DMZ, DDNS • Firewall: Anti-DDOS, Filtering Based on ACL/MAC/URL • Management: Support WEB/TELNET/OAM/OMCI/TR069 Support private OAM/OMCI protocol and Unified network management of AirLive OLT 	<p>Power Supply</p> <ul style="list-style-type: none"> • Input Voltage: DC 12V, 1A Power Adapter • Power Usages Max: ≤ 12W <p>Environment</p> <ul style="list-style-type: none"> • Operating Temperature: -10°C to +55°C • Storage Temperature: -40°C to +70°C • Working Humidity: 5%~95%, non-condensing • Storage Humidity: 5%~95%, non-condensing <p>Standard package of ONU</p> <ul style="list-style-type: none"> • Product size: 18.0 x 12.0 x 3.45 cm (L*W*H) • Package size: cm (L*W*H) • Package Weight: Product N.W: tbc kg Product G.W: tbc kg • Package content: ONU x 1, QIG x 1, Power Adapter x 1 <p>Standard carton package</p> <ul style="list-style-type: none"> • Quantity: 20 pcs / 1 carton • Dimensions 54.0 x 30.0 x 30.0cm (L*W*H) • Weight Tbc kg (G.W) <p>Ordering Information</p> <ul style="list-style-type: none"> • Model: ONU-10XGS-1004-10G • Name: 10G PON ONU incl. 1x XGS-PON Port, 1x 10G RJ-45, 4x 1G RJ-45 Port, 1x USB3.0 Port
	

* Specification will be changed without prior notice

* All trademarks, logos and brand names are the property of their respective owners.