

20-port Gigabit POE Switch, 802.3af/at, 200W

20-Port Gigabit incl 16x30W PoE, 2x1.25G SFP, 2x1000T

POE-GSH1622-200

airlive®



802.3af/at
30W

Gigabit
RJ45 & SFP

Plug&Play

PoE
Priority

Extend Mode
250m

Surge / ESD
protection

Overview

20-Port Gigabit PoE+ Switch with PoE Priority, Extend mode and SFP/RJ-45 port

The AirLive POE-GSH1622-200 Gigabit switch is compliant with 802.3af(15W)/802.3at(30W) It supports 16 PoE ports and 4 uplink ports 2x RJ45 or 2x SPF Fiber. Total of PoE power is 200W. The AirLive POE-GSH1622-200 switch is a plug and play unmanaged PoE switch with PoE Priority and 250meter cabling extension, which can be easily set up via its DIP switch. The four Gigabit Uplink ports (2x SFP and 2x RJ-45) help with connecting the switch to a larger network making the it the most cost-efficient client switch for various applications at Home or Office. Connect several PoE devices to the switch, Access Points or normal IP cameras can connect to any of the PoE ports on the switch and be powered on up to max 30W (at).



DIP Switch

PoE port Gigabit
Port-30W port 1~16

Gigabit Uplink

SFP Gigabit

Features

- All 20-port, each port delivers Gigabit high speed
- 16 x PoE port up to 30W, 4 x Uplink Port
- PoE Priority
- Extend the network further with 2 SFP slots that accept fiber transceivers and go beyond the limits of Ethernet
- PoE power, supports 802.3af/at PoE+
- Internal Power 200W
- Extended Mode: transmission of up to 250M in Extend Mode Setting by hardware DIP switch
- Surge Protection; ESD Protection

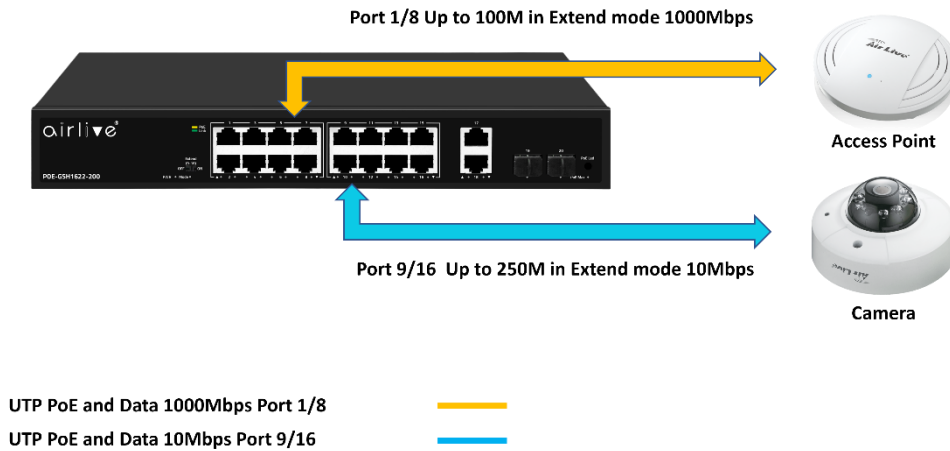
Efficient PoE technology AT PoE with PoE Priority.

Connect several PoE devices to the switch, for example Access Points or normal IP cameras can connect to any of the PoE ports on the switch and be power on up to max 30W (at).

PoE Priority is supported for the PoE Power from port 1~16, this can be helpful for a IPCAM or high priority preferred device. This function is turned on by default.

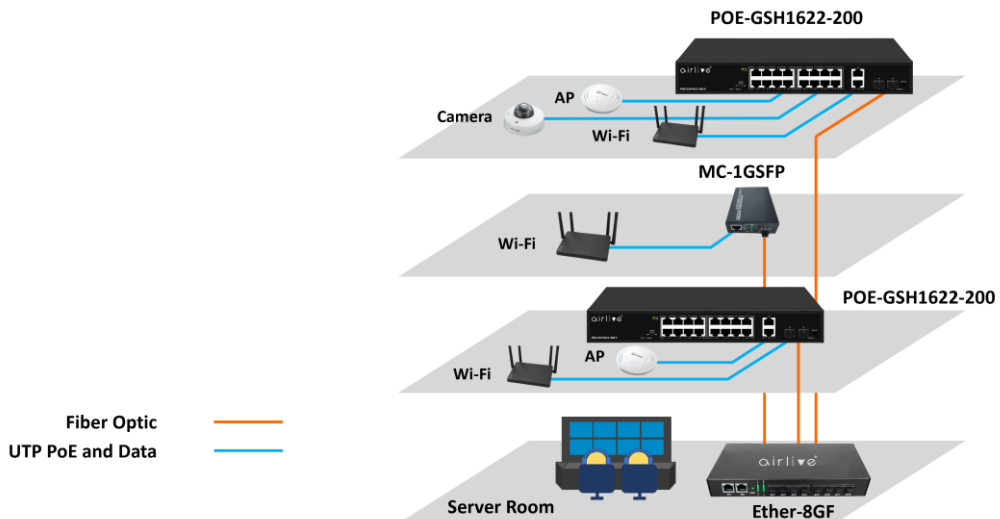
Extend Mode

Extend mode: The POE-GSH1622-200 switch can be set in Extend mode to reach a distance of up to 250m, this can be very useful in locations where it hard to get power to turn on your PD device. The Extend mode makes this easier. The Extend mode is only for Port 9 and 16 on the switch and when enabled the transmission rate will be 10Mbps.



Fiber backbone for Long Distance and Interconnect between floors

Extend the network further with SFP slot. Use the POE-GSH1622-200 fiber port to connect different floors together in a large building or to the main office over a longer distance. Depending on the module used it can reach up to 20KM in speed of 1250Mbps data transmission.



Model	AirLive POE-GSH1622-200
<p>Hardware</p> <ul style="list-style-type: none"> • Device Interface: 16 x 30W PoE 10/100/1000 RJ-45 Auto MDI/MDI-X 2 x Uplink Gigabit port RJ45 Auto MDI/MDI-X 2 x Uplink Gigabit SFP Auto MDI/MDI-X • Standard IEEE802.3u 100Base-TX / 100Base-FX IEEE802.3ab Gigabit 1000Base-T IEEE802.3z Gigabit SX/LX (Optical fiber) IEEE802.3at/af PoE IEEE802.3x IEEE802.3az Energy Efficient Ethernet • Industry standard compliant EMI: FCC Part 15 CISPR (EN55032) class A EMS: EN61000-4-2 (ESD), EN61000-4-5(Surge) • LED Indicators: PWR (Power), 1-20 Green LED (Link & Data), 1-16 (Yellow LED), DIP Switch Mode LED, PoE Max LED: Off: indicates PoE power usage is less than 90% Flashing: indicates PoE power usage of 90% ≤ P ≤ 95% On: indicates that PoE power is used at 95% <P <100% • Mechanical Metal <p>Surge and ESD protection</p> <p>Lightning surge: Common mode 4KV, Differential mode 2KV; Electrostatic ESD: Air 8KV, Contact 6K</p> <p>Power and PoE</p> <ul style="list-style-type: none"> • Protocol: IEEE802.3at (30W), IEEE802.3af (15.4W) • PoE Port: 16 • PoE Power Output / PoE Port: max. 30W (port 1~16) • PoE Power/ Switch: Product power: ≤10W, POE power: ≤180W <p>Switch Architecture Performance</p> <ul style="list-style-type: none"> • Fiber Medium Multi-mode Fiber: 850nm, 1310nm Transmission Distance: 550m/2Km Single-mode Fiber: 1310nm, 1550nm Transmission Distance 20/40/60/80/Km • Switching architecture: Store and Forward Switch Capacity: Back-plan up to 40Gbps Forwarding Rate; 29.76Mpps MAC Address: 8K Packet Buffer: 3Mbit Jumbo Frame: 9216bytes Transfer mode: Store and forward MTBF:100000 hour 	<p>DIP Switch Control</p> <ul style="list-style-type: none"> • Default: Normal mode, all port can communicate with each other, the transmission distance is within 100m, the transmission rate is 10M/100/1000M adaptive • Extend: Extension mode, PoE power supply and data transmission distance can be extended to 250 meter at the transmission rate 10Mbps Port 9~16 only. PoE Watchdog will also be enabled when the Extend mode is in use. Port AI mode is enabled. <p>Power Supply</p> <ul style="list-style-type: none"> • Input Voltage: AC 100-240 V 50-60Hz • Internal Power Supply: 52V/3.84A <p>Environment</p> <ul style="list-style-type: none"> • Operating Temperature: -10°C~+50°C • Storage Temperature: -40°C~+70°C • Operating Humidity: 10%~90%, non-condensing • Storage Humidity: 5%~95%, non-condensing <p>Standard package of switch</p> <ul style="list-style-type: none"> • Product size: 32 x 20.7 x 4.4cm(L*W*H) • Package size: 37 x 29 x 8.5cm(L*W*H) • Product Weight/Package Weight NW: 1.78kg; G.W:2.28kg • Package content: 1 x Switch, 1 x Power Cord. <p>Standard carton package</p> <ul style="list-style-type: none"> • Quantity: 5 pcs / 1 carton • Dimensions 44.5 x 31 x 39 cm • Carton Weight 12.4Kgs <p>Ordering Information</p> <ul style="list-style-type: none"> • Model: <u>POE-GSH1622-200:</u> 16 x PoE 10/100/1000, 2 x 1000T, 2 x 1G SFP slot, 200W

* Specification will be changed without prior notice

