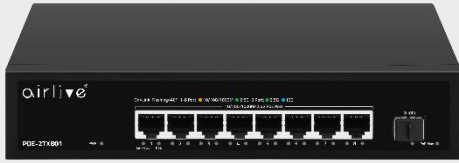


# 2.5Gbps Base-T Multi Gigabit POE Switch, 802.3af/at, 100W

## 9-Port Multi Giga incl 8 x 30W 2.5G RJ45, 1 x SFP+ 10G

POE-2TX801-100

airlive®



8-port  
100/1000M/2.5G

Multi-Gigabit  
Auto-negotiation

Cat.5e cable  
suitable

10G SFP+  
Uplink

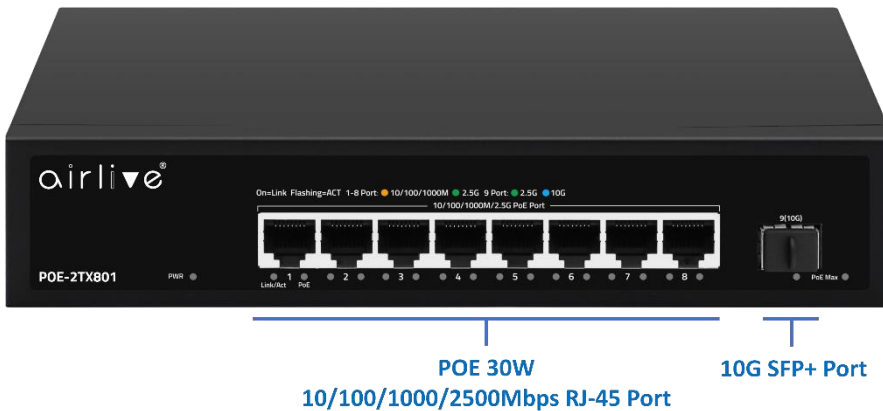
ESD  
protection

802.3af/at  
30W

## Overview

### Painless Upgrading your Network Connection to 802.3af/at PoE 2.5Gbps & SFP+ 10G Super High speed

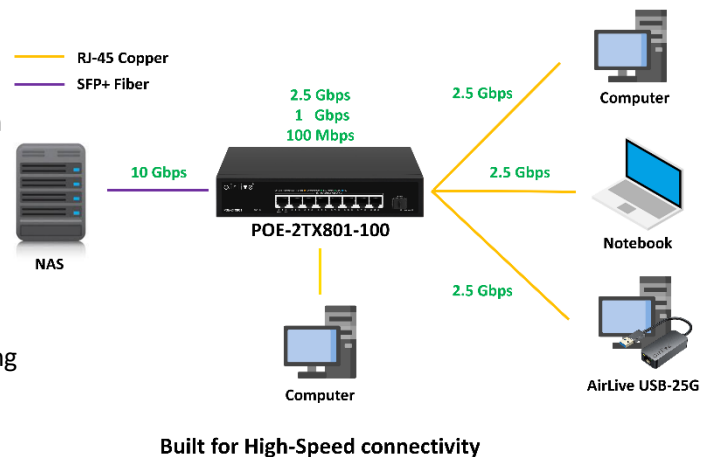
The AirLive Multi-Giga switch POE-2TX801-100 is compliant with 802.3af(15W)/802.3at(30W) it supports 8 PoE 2.5G RJ45 ports and 1 10G SFP+ port for delivering high-speed connections on RJ-45 and SFP+. With the 2.5G multi-Giga switch, you can connect to a variety of 2.5GbE-enabled devices, such as NAS | NVR | PC | Server | Laptop, for enjoying faster experience and handle bandwidth-hungry applications. . The total PoE power is 100W which can power on several PoE devices like Access Points and IP Cameras. Designed in a slim sized solid housing, it's an affordable, space-saving solution suitable to Home and SMB network applications.



## Features and Specifications

AirLive POE-2TX801-100 2.5Gbps Switch with SFP+ 10G

- 8 x POE 10/100/1000/2500Mbps RJ45 (up to 30W)
- 1x 10G SFP+
- All ports at Multi Gigabit high speed, auto-negotiation
- PoE power, supports 802.3af/at PoE
- PoE Priority
- Internal Power, 100W
- Providing satisfied bandwidth for various network devices, such as online gaming, multi-media, NAS, Server system
- Super Fast 2.5Gbps RJ-45 and 10Gbps SFP+ Networking
- Existing Cat5e cable suitable, painless upgrading
- Plug and Play, Zero configuration
- Compact size for Home or SMB Network Connectivity



## Multi Gigabit for Interconnect

With the AirLive POE-2TX801-100 2.5Gbps switch, it is possible to connect several high-speed devices together via RJ-45 connections using a normal Cat.5e network cable. Higher bandwidth improves the playback quality of 4K/8K videos, prevents lag for Gaming, smooths speed when download or upload large data, increases data transfer speed when doing backup to a NAS drive. Use the 10G SPF+ as uplink to a larger network with higher speed.



### 2.5 Times Faster

2.5GbE is 2.5 times faster than standard Ethernet (1GbE), upgrade network performance to boost productivity.



### Video Streaming

Higher bandwidth improves the playback quality of 4K/8K videos.

### Works with existing cables

No special cables or connectors are required to take advantage of 2.5GbE. Simply use your existing CAT5e cables as normal with your new 2.5GbE infrastructure.

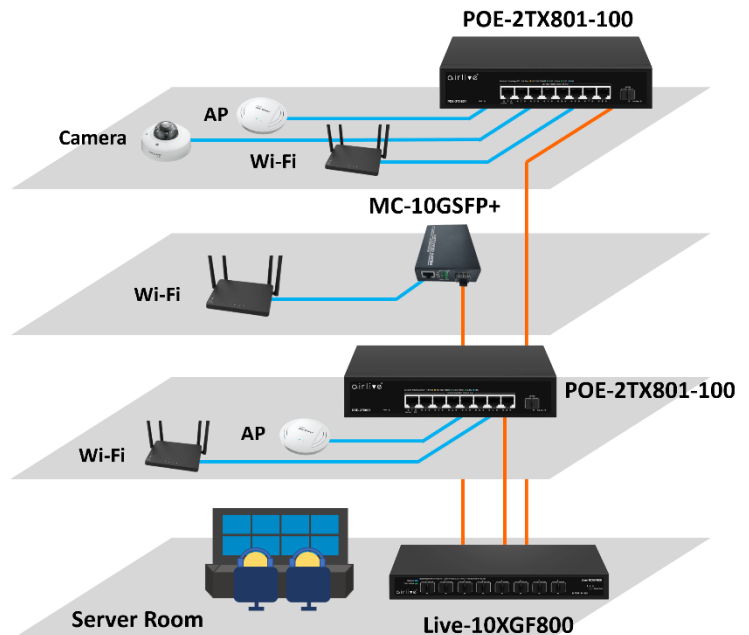


### Gaming

No lag when you are Gaming.

## PoE at High Speed and POE Priority

Connect several PoE devices to the switch, Access Points or normal IP cameras can connect to any of the PoE ports on the switch and be powered on up to max 30W (at). With the 2.5G RJ45 ports and 10G SFP+ Uplink port bandwidth would not be an issue. PoE Priority is supported for the PoE Power from port 1~8, this can be helpful for a IPCAM or high priority preferred device. This function is turned on by default.



Model	AirLive POE-2TX801-100
<p><b>Hardware</b></p> <ul style="list-style-type: none"> <li>• <b>Device Interface:</b> 8 x 30W PoE 10/100/1000/2500Mbps RJ45 1x 10G SFP + 9-port totally</li> <li>• <b>Standard</b> IEEE802.3u 100Base-TX IEEE802.3ab Gigabit 1000Base-T IEEE802.3bz 2.5GBase-T IEEE 802.3z 1000BASE-X Gigabit Ethernet (optical fiber) IEEE 802.3ae 10G Ethernet (optical fiber) IEEE802.3x Flow Control IEEE802.3af/at PoE</li> <li>• <b>Industry standard compliant</b> EMS: EN61000-4-2 (ESD), IEN61000-4-5 (Surge)</li> <li>• <b>LED Indicators:</b> PWR(Power indicator), Link RJ-45 port: Green 2.5G, Yellow 100/1000Mbps, PoE LED (On/Off), Link SFP+ port: Blue 10G, Green 2.5G PoE Max LED: Off: indicates PoE power usage is less than 90% Flashing: indicates PoE power usage of <math>90\% \leq P \leq 95\%</math> On: indicates that PoE power is used at <math>95\% &lt; P &lt; 100\%</math></li> <li>• <b>Surge/ESD Protection:</b> General 4KV, Differential 2KV (level B), ESD 12KV Air, 6KV contact (level C)</li> <li>• <b>Mechanical</b> Solid Metal Housing, Desktop</li> </ul> <p><b>Power and PoE</b></p> <ul style="list-style-type: none"> <li>• <b>Protocol:</b> IEEE802.3at (30W), IEEE802.3af (15.4W)</li> <li>• <b>PoE Port:</b> 8</li> <li>• <b>PoE Power Output / PoE Port:</b> max. 30W (port 1~8)</li> <li>• <b>PoE Power:</b> 90W, Switch Power usage: Max 10W</li> </ul> <p><b>Switch Architecture   Performance</b></p> <ul style="list-style-type: none"> <li>• <b>Switching architecture: Store and Forward</b> Switch Capacity: Back-plan up to 60Gbps Pack forward rate: 44.65Mpps MAC Address: 4K Transfer mode: Store and forward MTBF:100000 hour</li> </ul>	<ul style="list-style-type: none"> <li>• <b>Transmission Distance</b> 10Base-T: Cat3,4,5 UTP(<math>\leq 250</math> meter) 100Base-TX: Cat5 or later UTP(150 meter) 1000Base-TX: Cat5e or later UTP(150 meter) 2500Base-TX: Cat5e or later UTP(150 meter)</li> <li>• <b>Fiber Medium:</b> Multi-mode Fiber: 50/125 、 62.5/125 、 100/140um Single-mode Fiber: 8/125 、 8.7/125 、 9/125 、 10/125um</li> </ul> <p><b>Power Supply</b></p> <ul style="list-style-type: none"> <li>• <b>Input Voltage:</b> AC100~240V</li> <li>• <b>Power Supply:</b> 52V/1.92A (100W) Internal</li> </ul> <p><b>Environment</b></p> <ul style="list-style-type: none"> <li>• <b>Operating Temperature:</b> -10°C to +50°C</li> <li>• <b>Storage Temperature:</b> -40°C to +70°C</li> <li>• <b>Working Humidity:</b> 10%~90%, non-condensing</li> <li>• <b>Storage Humidity:</b> 5%~95%, non-condensing</li> </ul> <p><b>Standard package of switch</b></p> <ul style="list-style-type: none"> <li>• <b>Product size:</b> 22.0 x 16.1x 4.4 cm(L*W*H)</li> <li>• <b>Package size:</b> 31.5 x 21.5 x 8.5 cm(L*W*H)</li> <li>• <b>Package Weight:</b> N.W: 0.91Kgs; G.W: 1.23Kgs</li> <li>• <b>Package content:</b> 1 x Switch, 1 x Power Cord</li> </ul> <p><b>Standard carton package</b></p> <ul style="list-style-type: none"> <li>• <b>Quantity:</b> 10 pcs / 1 carton</li> <li>• <b>Dimensions</b> 44.5 x 44.5 x 33.5cm (L*W*H)</li> <li>• <b>Weight</b> 13.3Kgs (G.W)</li> </ul> <p><b>Ordering Information</b></p> <ul style="list-style-type: none"> <li>• <b>Model:</b> POE-2TX801-100</li> <li>• <b>Name:</b> 9-port 2.5Gbps Multi Gigabit POE Switch, incl 8 x POE 2.5G RJ45 and 1x 10G SFP+, Plug and Play.</li> <li>• <b>Related product:</b> AirLive USB-25G USB3.1/3.0 to 2.5Gbps Base-T adapter</li> </ul>

\* Specification will be changed without prior notice

\* All trademarks, logos and brand names are the property of their respective owners.

