

Wi-Fi 6 AX 3000Mbps Multi Giga PoE Access Point Central & Cloud Management, seamless roaming

airlive®

AirCloud TOP-30AX-2.5G

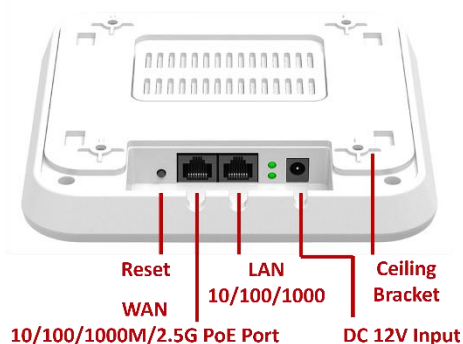


Wi-Fi 6 AX3000	Central Management Supported	Cloud Management supported	Live Status Monitor	AP/Gateway/ Repeater Mode
Qualcomm Chipset	2.5G WAN Port	Seamless Roaming	FIT/FAT Mode	48V PoE

Overview

TOP-30AX-2.5G service 24/7 365 Management via the AirCloud

The AirLive TOP-30AX-2.5G is an advanced Wi-Fi 6 compliant 3000Mbps Dual Band multi functions Access Point which features 1x 1Gbps LAN port and 1x 2.5Gbps WAN 48V PoE input port. It is supported by AirCloud and AirLive Wireless controller. Large Enterprises or organizations can centrally manage large numbers of APs in a single location with the Wireless controller. Or do the management and access from anywhere anytime with an internet connection via AirCloud, cloud-based platform. Moreover, it can work as a standalone AP at home or office when setting in FAT operation mode.



Wireless Seamless Roaming

Additionally, the TOP-30AX-2.5G supports Wireless Seamless Roaming technology 802.11r/802.11k/802.11v and Fast BSS Transition (FT) that users can stay connected and productive while on the move. These technologies work together to allow devices to quickly and seamlessly switch between access points without interrupting the connection or requiring the user to manually reconnect. This technology is particularly useful in environments where users need to move around, such as in large offices, airports, shopping malls, and campuses.



Features

- Wi-Fi 6 11a/b/g/n/ac/ax compliant
- OFDMA, MU-MIMO
- 2T2R 3000Mbps Wireless High Speed (600Mbps + 2400Mbps)
- 20/40/80/160Mhz Channel
- Concurrent dual bands 2.4Ghz and 5Ghz
- Seamless Roaming
- 1 x 10/100/1000/2500Mbps WAN RJ-45 Port
- 1 x 10/100/1000Mbps LAN RJ-45 Port
- 802.3af/at PoE power input (WAN) (AT for full load)
- FIT/FAT Operation mode
- AP and AP Gateway Operation Mode
- Universal Repeater Mode
- Cloud Management Support via AirCloud
- AirLive Wireless Controller Supported
- Up to 8 Multiple SSID
- VLAN Support in AP Mode
- QoS in AP Gateway Mode
- URL/MAC/IP Filtering
- Wi-Fi Timer

Wi-Fi 6 AX 3000Mbps Multi Giga PoE Access Point Central & Cloud Management, seamless roaming



AirCloud TOP-30AX-2.5G

Advanced Management

Flexible Operation - Central Management, Cloud Management, Stand-Alone AP

The AirLive TOP-30AX-2.5G can be a FIT AP or FAT AP. It can work as a standalone Access Point or Gateway for home or small WLAN applications. For Large Enterprises or organizations, the TOP-30AX-2.5G is supported by the AirLive Wireless Controller and AirCloud with advanced and efficient central or/and cloud management.

24/7 365 Central and Cloud management for unlimited APs via AirCloud for Large Enterprises or Public Access

Cloud Control: the AirLive TOP-30AX-2.5G can be managed through the AirCloud once it has been added to the Cloud. This provides remote control from any location, making it advantageous for large networks of Access Points as local access is not necessary and support can be provided from a remote office. Additionally, multiple levels of control can be assigned in the Cloud, ranging from admin to viewer rights. Access Points can be easily added or removed at any time.



Central Management via AirLive Wireless Controller for SMB

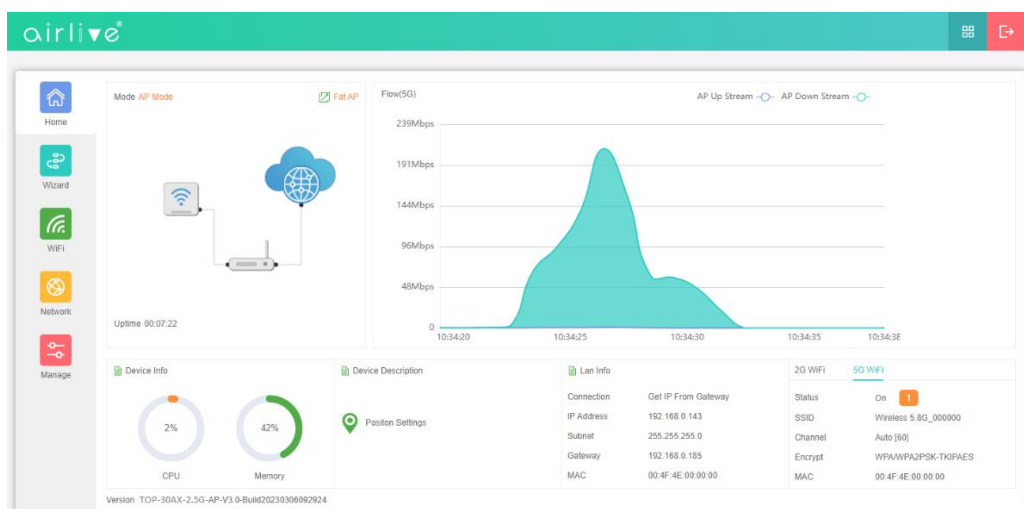
Fit mode is a setting for the TOP-30AX-2.5G Access Point that allows it to be controlled by an AirLive WLAN Access Controller. The WLAN controller manages all wireless settings, encryption, and other functions, serving as the central control hub for the TOP-30AX-2.5G Access Point. Fit mode is ideal for SMB or large enterprise setups where multiple access points need to be controlled at once. By using Fit mode and a WLAN Access Controller, it can manage all connected APs in a single location; setup time and complexity can be greatly reduced.

Works as standalone AP for Home or SOHO Office

Fat mode: The TOP-30AX-2.5G Access Point functions as a standalone device with all wireless and encryption functions being controlled within the AP itself. This mode is more suitable for small setups like residential or offices with fewer APs. The Fat mode supports three operation modes - AP mode, AP Gateway mode and Repeater mode. In AP Gateway mode, the TOP-30AX-2.5G works as a gateway and uses its WAN port connecting to a modem/router via PPPoE, DHCP, or Static IP. In AP mode, the TOP-30AX-2.5G can be connected to an existing network and work without the WAN port features. In Repeater mode, the AP works as a Universal Repeater which mean that it can repeat the wireless signal of an existing wireless network (ea. Wireless Router) over a longer distance.

Live Status and Monitor

Monitoring your wireless internet usage by live stream graph, you can gain real-time insight into your network activity and make informed decisions about managing your internet resources.



Model	TOP-30AX-2.5G AX3000 Access Point
<p>Device Interface</p> <ul style="list-style-type: none"> • Main Chip: Qualcomm IPQ5018+6024+8081 • Flash: SPI NOR 8MB + NAND 128MB • RAM: 512MB • Ethernet (LAN): 1 x RJ45 10/100/1000Mbps • WAN (PoE): 1x RJ-45 10/100/1000/2500Mbps • WiFi: 802.11b/g/n/ac/ax 2T2R(2.4Ghz), 802.11a/n/ac/ax 2T2R (5Ghz) • Button: Reset x 1 • Power Input: 1 x DC 12V-2A or 1 x 48V PoE (802.3at must be used when AP is under full load. 802.3af can be used for light load.). • Power Usages Max: ≤ 20W • Antenna: Internal Wireless Antenna 4x 4dBi (2.4/5Ghz) MIMO <p>WAN</p> <ul style="list-style-type: none"> • WAN: PPPoE, DHCP, Static IP, (Bridge (AP Mode)) <p>Wi-Fi</p> <ul style="list-style-type: none"> • Standard: IEEE 802.11a/b/g/n/ac/ax, 2x2, 20/40/80/160 MHz channels • Functions: Multi-SSID 8 (4 per radio), SSID hidden, SSID isolation, Band Steering, RF power adjustable, Wi-Fi time on/off to save energy • Security: WPA/WPA2PSK-TKIPAES, WPA3PSK-TKIPAES • Modulation : OFDMA, 1024QAM • Seamless Roaming : 802.11k, 802.11v, 802.11r • Wi-fi Advanced: Wireless client isolation • Wireless Channel • 2.4G: 1~13 (CE Channel) (region dependent) • 5.8G: 36~48, 36~64, 100~140, 149~165 (region dependent) • Wireless Speed: 3000Mbps Wireless High Speed (600Mbps + 2400Mbps) • Wireless TX Power • 2.4G: ≤23dbm, 5.8G: ≤23dbm (region dependent) • Wireless seamless roaming technology A combination of technologies, including Fast BSS Transition (FT), 802.11r, and 802.11k. These technologies work together to allow devices to quickly and seamlessly switch between access points without interrupting the connection or requiring the user to manually reconnect. 802.11r facilitates fast handovers by pre-authenticating devices with the next access point. 802.11k provides better signal information for device decisions on which access point to connect to. 	<p>802.11v offers QoS information for device selection of the best access point based on its needs.</p> <p>Security</p> <ul style="list-style-type: none"> • Filter Rule: URL Filter/Mac Filter/IP Filter • URL/MAC/IP filtering: White list/Black List. <p>DMZ DMZ</p> <p>Port Forwarding Rule/Range TCP/UDP</p> <p>VLAN VLAN support SSID Max 4 per Band</p> <p>Cloud</p> <ul style="list-style-type: none"> • AirCloud access support in Gateway/AP Mode <p>FIT/FAT Operation Mode</p> <ul style="list-style-type: none"> • FIT Mode: AP works with AC Controller (Enterprise) • FAT Mode: AP works standalone (Home use) <p>Management</p> <ul style="list-style-type: none"> • Web-UI, Remote Management, WLAN Controller, Cloud Management System AirCloud <p>DDNS Oray</p> <p>Max Concurrent users: 128</p> <p>Parental Control (Gateway Mode)</p> <ul style="list-style-type: none"> • Mac Address Filtering, URL Filtering, IP Filtering <p>AP/AP Gateway/AP Repeater Mode</p> <ul style="list-style-type: none"> • AP: In this mode, the AP Wireless and Cable Interface are bridging together. Without NAT, Firewall and all network related functions. • AP Gateway: In this mode, the WAN page is enabled and PPPoE, DHCP or Static IP can be selected. NAT is enabled and PC's in LAN ports share the IP to ISP through WAN port. • AP Repeater: In this mode the AP works as a Universal Repeater which can repeat the wireless signal of other wireless devices like a Wireless Router or Access Point. All interfaces are bridged together. Without NAT, Firewall, and all network related functions. <p>VPN Pass Through (Gateway Mode)</p> <ul style="list-style-type: none"> • IPsec, PPTP, L2TP <p>Data Statistics</p> <ul style="list-style-type: none"> • WAN Down Stream, WAN UP Stream • Wi-Fi Analyzer (2.4 and 5Ghz)

* Specification will be changed without prior notice

* All trademarks, logos and brand names are the property of their respective owners.



Model	TOP-30AX-2.5G AX3000 Access Point
<p>Multiple Language English</p> <p>ESD Protection</p> <ul style="list-style-type: none">Air Discharge: $\pm 8\text{KV}$, Contact Discharge: $\pm 6\text{KV}$ <p>Environment</p> <ul style="list-style-type: none">Operating temperature: $-20^{\circ}\text{C} \sim +45^{\circ}\text{C}$Storage Temperature: $-40^{\circ}\text{C} \sim +70^{\circ}\text{C}$Storage Humidity: 5% ~ 95% (non-condensing) <p>Standard package</p> <ul style="list-style-type: none">Product size: 19.8 x 19.8 x 4.102 cm(L*W*H)Package size: 24.5 x 23.5 x 7.5 cm(L*W*H)Package Weight: G.W: 1.00KgsPackage content: 1x TOP-30AX-2.5G, 1x Ceiling mount, 1x QIG <p>Ordering information</p> <ul style="list-style-type: none">AirLive AirCloud TOP-30AX-2.5G 11ax 3000Mbps Multi Giga PoE Access Point, Central and Cloud management supported	

* Specification will be changed without prior notice

* All trademarks, logos and brand names are the property of their respective owners.

